


General information:

Rev.: 04.06.2019

Combustion air valves in sizes from LV 40 to LV 150 are used for controlling the combustion air supply to gas and oil-fired individual burners as well as industrial burner equipment.

Volumetric flow rate range:	50 – 720 m _N ³ /h
Intake air pressure:	50 – 120 mbar (special versions up to approx. 160 mbar)
Operating voltages:	24 V DC (=) - 110 V AC - 230 V AC
Power consumption:	2 x 5 VA for two-stage type
Opening time:	1 to 4 sec. (depending on nominal size and setting)
Closing time:	2 to 8 sec. (depending on nominal size and setting)
Setting ranges:	1. stage: approx. 10 % to 60 % (variable)
Setting ranges:	2. stage: approx. 60 % to 100 % (variable)
Setting ranges:	Bypass: approx. 0 % to 10 % (variable)
Setting ranges:	from LV 100: approx. 0 % to 7 % (variable)
Diaphragm lid mounting positions:	90°, 180°, 270° and 360°
Operating temperature:	from -10 °C to +60 °C
Mounting position:	no restriction

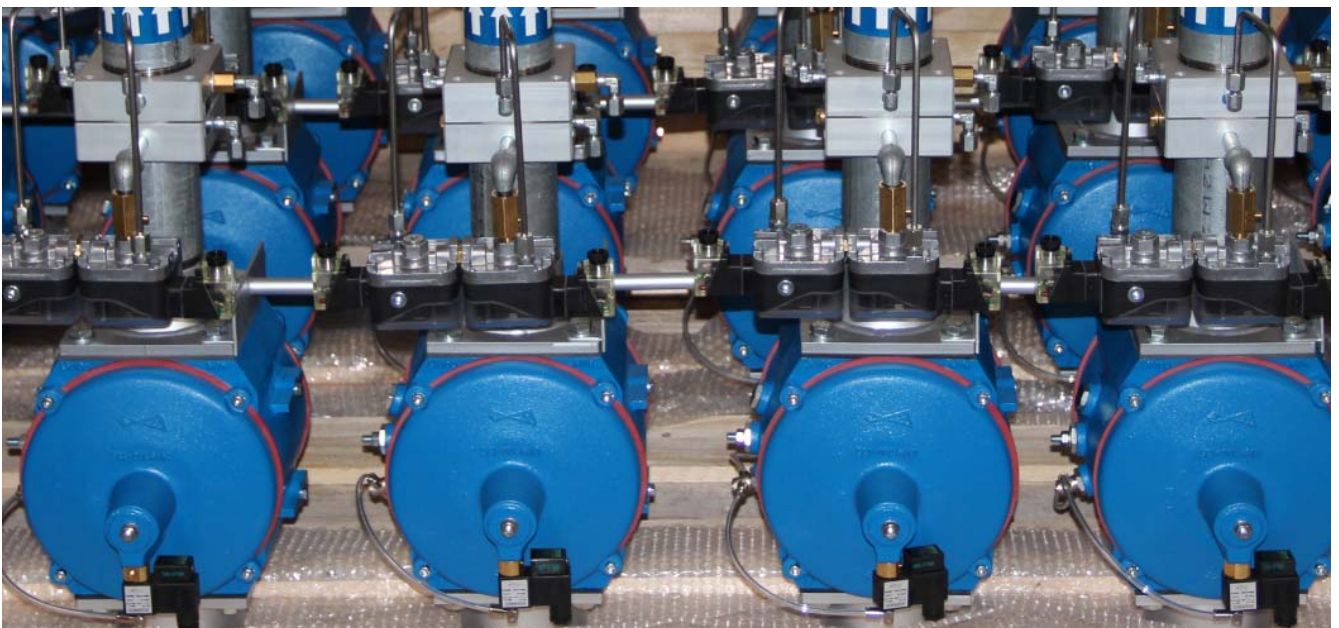
These combustion air valves are electrically actuated spring-assisted diaphragm valves. This allows a very low power input of only 5 VA for the single-stage and only 2 x 5 VA for the two-stage type.

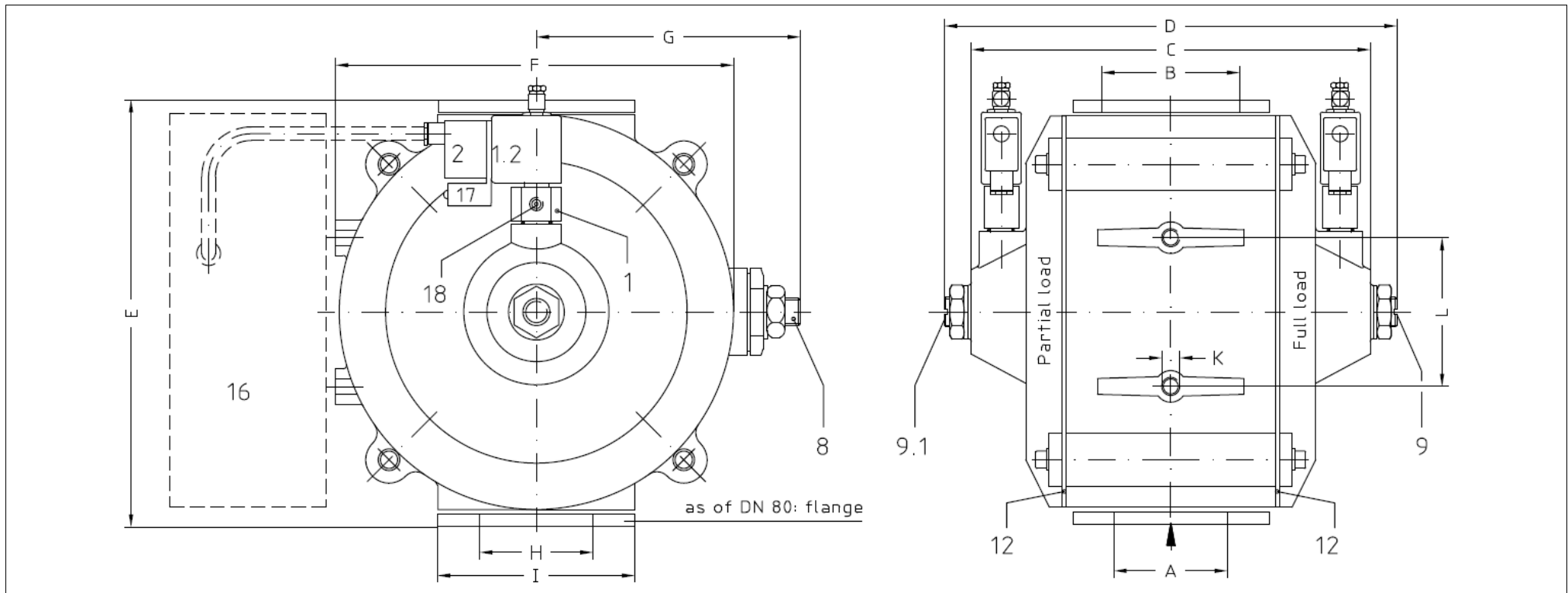


Thanks to their compact, rugged industrial design and their ability to operate in any mounting position, these diaphragm valves are highly versatile and can also be fitted with accessories.

Two-stage combustion air valves LV 40 to LV 125 are used for burner control within HIGH – LOW – OFF or MIN fire. The single-stage special types are used for HIGH – OFF or MIN control configurations.

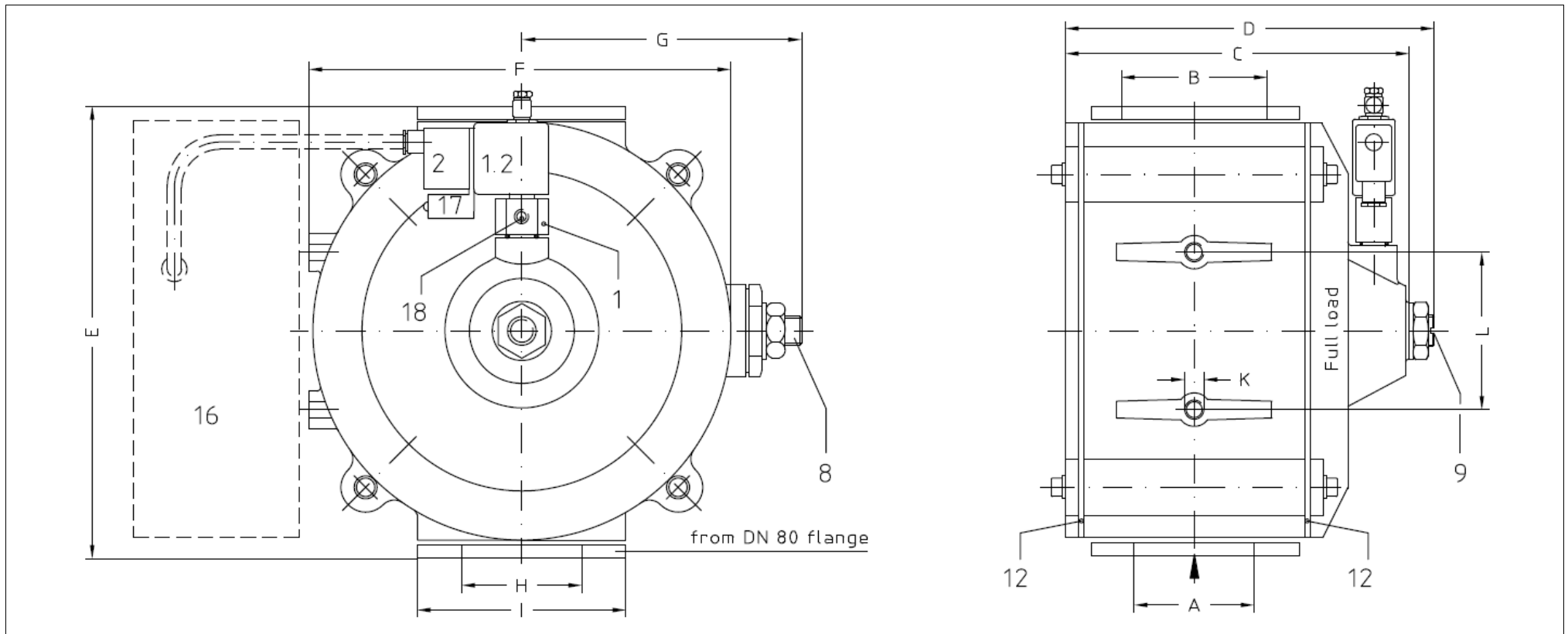
The min. fire stage is max. 10 % of the total (depending on size) and is realized by means of a bypass. For setting ranges of the individual firing stages please refer to data sheets TB 0021, TB 002110, ST 0054 and consult the operating instructions BA 0022.





Type	m ³ /h - Δp=10 mbar			A = leading in B = outlet	C	D	E	F	G	H	I	K	L
	I	II	III										
LV 40	50	80	100	G 1 1/2"	160	190	165	145	95			M6	50
LV 50	80	120	170	G 2"	180	215	172	145	95			M6	50
LV 65	140	200	280	G 2 1/2"	235	270	195	160	105			M6	100
LV 80	200	270	340	DN 80	270	310	195	165	110	∅ 80	□ 120	M6	100
LV 100	300	400	520	DN 100	350	390	255	220	140	∅ 100	□ 150	M6	100
LV 125	440	580	720	DN 125	380	420	275	220	140	∅ 125	□ 195	M6	100

Stand: 04.06.2019



Type	m ³ /h - p=10 mbar			A = leading in B = outlet	C	D	E	F	G	H	I	K	L
	I	II	III										
LV 40	50	80	100	G 1 1/2"	115	130	165	145	95			M6	50
LV 50	60	90	125	G 2"	135	155	172	145	95			M6	50
LV 65	120	190	220	G 2 1/2"	170	190	195	160	105			M6	100
LV 80	180	215	260	DN 80	225	255	195	165	110	∅ 80	□ 120	M6	100

Stand: 28.08.2016